

AWNING WINDOW



AA SERIES - 65mm FRAME (opening sash also fits into 125mm SuperLite frame)

Outer frame & sash corners are mitred, enhancing the clean appearance of the window. All fixings are made from durable stainless steel

The open portion of the sash faces downwards, which provides protection from rain during ventilation

Lockable chainwinders are fitted as standard, & come in a black, white or silver finish. For difficult to access windows, electric operators (black finish only) are a popular solution

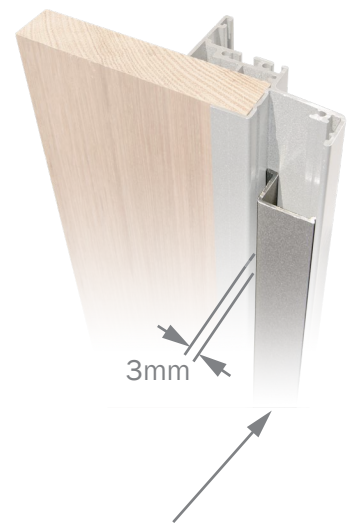
The optional sill flap can be specified when required

All glass is installed into dual vinyl sided rebates, ensuring vibration free glazing

Reveals can be supplied in primed or raw hardwood, & can also be offset from the frame by 1.6mm to assist in creating a 'square-set' look



When fully open, stainless steel, double-action stays help the sash step out slightly at the top, encouraging more efficient ventilation



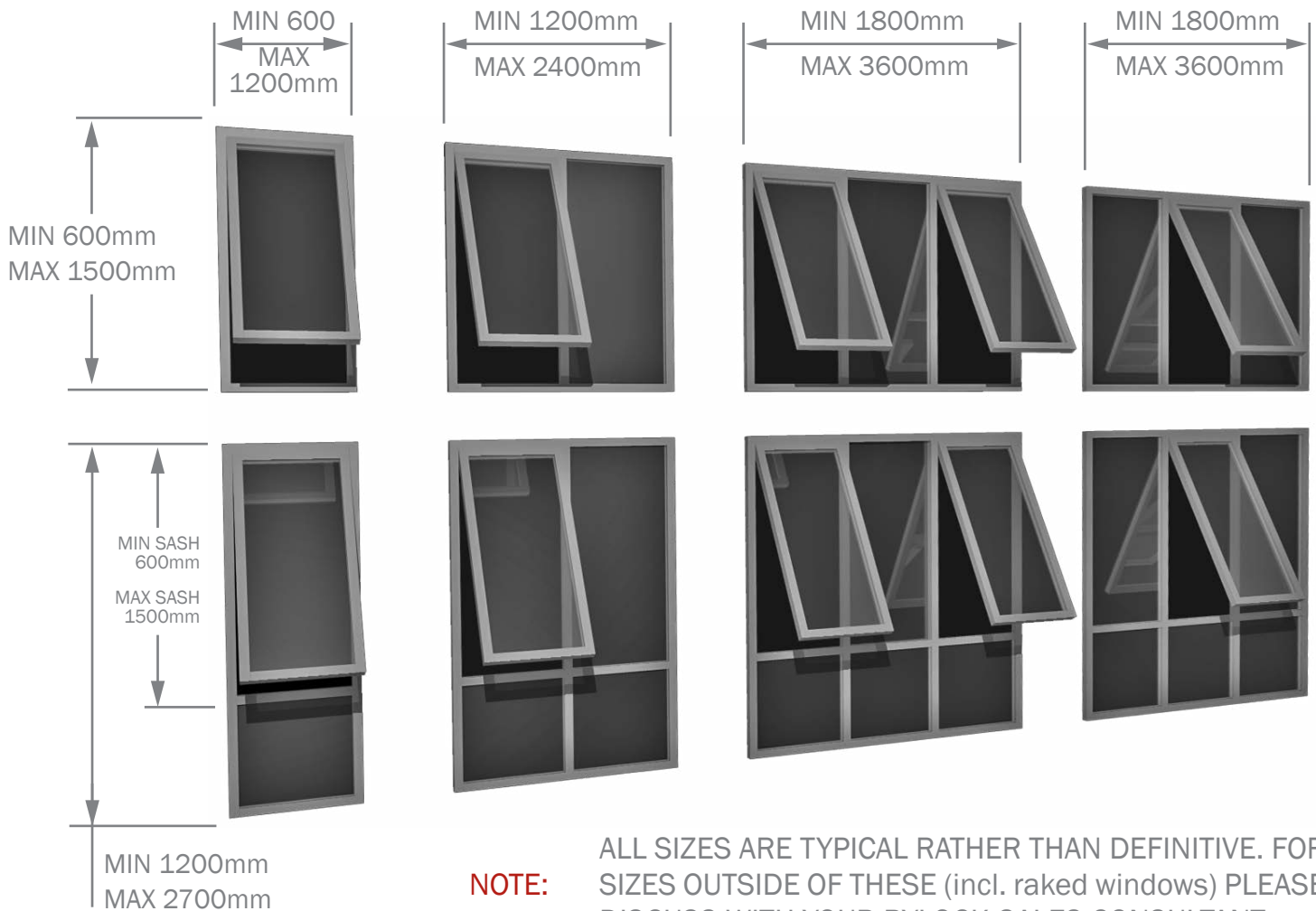
The optional external frame infill has a 15 x 3mm pocket for flashing insertion, whilst the inline reveal simplifies installation into a broad range of construction styles



AWNING WINDOW



AA SERIES - 65mm FRAME (opening sash also fits into 125mm SuperLite frame)



NOTE: ALL SIZES ARE TYPICAL RATHER THAN DEFINITIVE. FOR SIZES OUTSIDE OF THESE (incl. raked windows) PLEASE DISCUSS WITH YOUR RYLOCK SALES CONSULTANT

Sizing

Window style & opening detail should be considered as viewed externally
Sizes indicated are the overall window size. Reveal is inline with outer frame dimension.
For Stud openings add 20mm to both height & width

Glazing

Glazing strength to minimum N3 rating. Maximum double glazed panel thickness is 22.38mm

Certification

Certified performance data including WERS ratings are available for this product on request

Specify

Frame colour, configuration, height, width & overall depth, reveal type (including for plaster reveals)
Optional: operator (chainwinder, latch or electric), operator colour (electric is black only), restricted opening, fly screen, mesh type, external frame infill, reveal equaliser, sill flap, glass type

The above product sizes comply with structural requirements (AS2047-2014, *Windows and external glazed doors in buildings*) for an 'N1' wind rating (AS4055-2012, *Wind loads for housing*).

This is typical of sites in suburban areas. In addition, the location has a Terrain Category of 3, is Topographic Class 1 or 2 and assumes the building will be surrounded by others of similar size.

Please specify if your site has different characteristics to any of those listed. Your building professional (architect, designer, surveyor, engineer, builder, etc.) can often assist with such determinations.

AWNING WINDOW



AA SERIES - 90mm FRAME (with Bar Operator)

Rylock's 'Bar Operated' Awning Window is designed for large tall/thin & short/wide awning sashes. These configurations are increasingly popular in modern housing designs, but require more than a central operator to close properly & efficiently.



To ensure a tight seal when closed, two separate mechanical latches clamp the sash tightly against the outer frame. The dual seals surrounding the perimeter of the sash are then able to exclude wind & water.



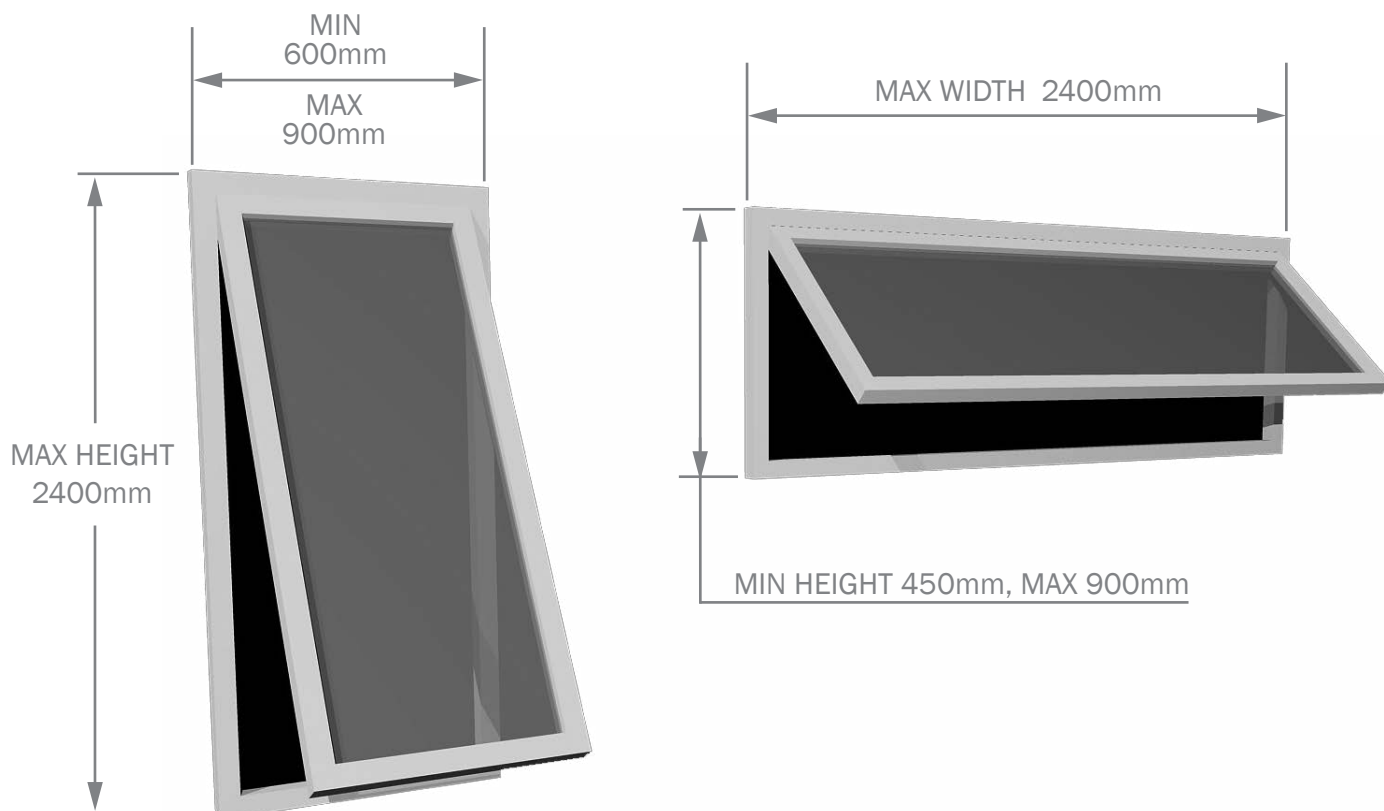
The operator handle folds neatly away from window dressings, giving a clean internal appearance. Fly screens (with extruded frames) are easily removed from the inside for cleaning

Outer frame & sash corners are mitred, enhancing the clean appearance of the window. The substantial 90mm frame couples neatly with large fixed panels & a variety of door products. Maximum sash size is either **2400mm high by 900mm wide**, or **900mm high by 2400mm wide**

AWNING WINDOW



AA SERIES - 90mm FRAME (with Bar Operator)



NOTE:

ALL SIZES ARE TYPICAL RATHER THAN DEFINITIVE. FOR SIZES OUTSIDE OF THESE PLEASE DISCUSS WITH YOUR RYLOCK SALES CONSULTANT

Sizing

Window style & opening detail should be considered as viewed externally
Sizes indicated are the overall window size. Reveal is inline with outer frame dimension.
For Stud openings add 20mm to both height & width

Glazing

Glazing strength to minimum N3 rating. Maximum double glazed panel thickness is 22.38mm
Maximum sash weight of 54kg (typically 4mm glass / 12mm argon / 4mm glass)

Certification

Certified performance data including WERS ratings are available for this product on request

Specify

Frame colour, configuration, height, width & overall depth, reveal type (including for plaster reveals)
Optional: operator/latch colour, restricted opening, fly screen, mesh type, external frame infill, reveal equaliser, sill flap, glass type

The above product sizes comply with structural requirements (AS2047-2014, *Windows and external glazed doors in buildings*) for an 'N1' wind rating (AS4055-2012, *Wind loads for housing*).

This is typical of sites in suburban areas. In addition, the location has a Terrain Category of 3, is Topographic Class 1 or 2 and assumes the building will be surrounded by others of similar size.

Please specify if your site has different characteristics to any of those listed. Your building professional (architect, designer, surveyor, engineer, builder, etc.) can often assist with such determinations.